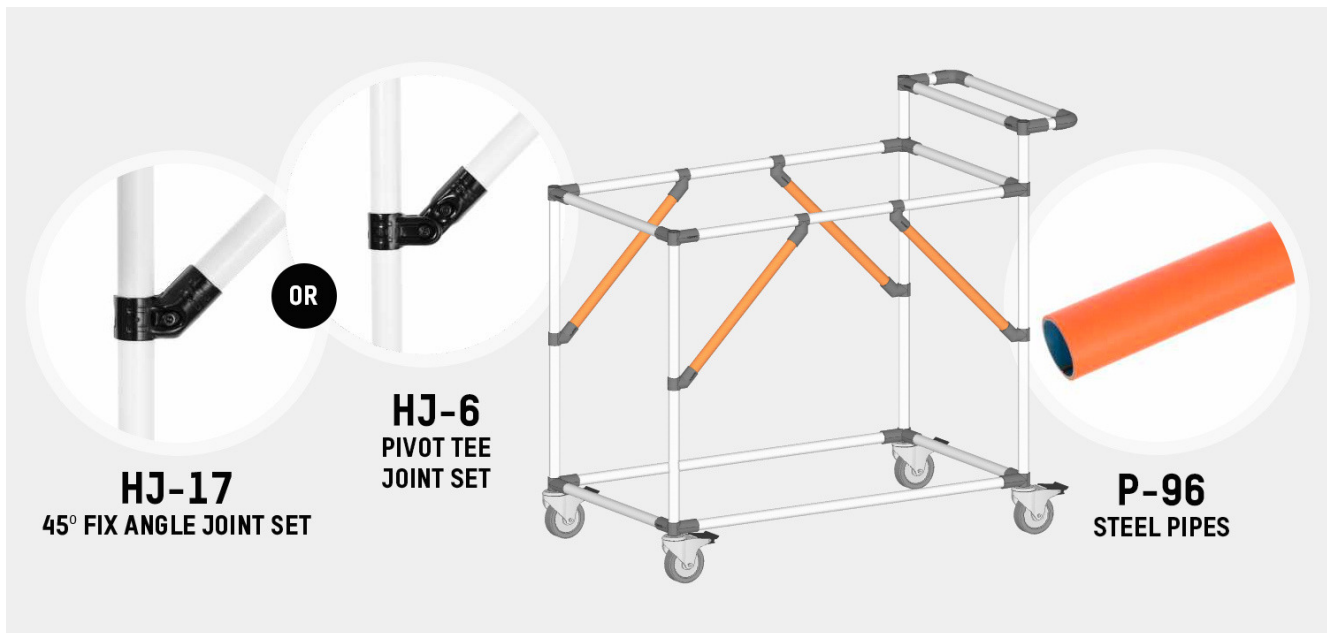


ASSEMBLY TIP #19 - COLLECT THEM ALL

LOADING CAPACITY FOR MODULAR SYSTEM

Reinforce your structure's loading capacity by adding angle braces using **HJ-6** or **HJ-17** joints



VISIT FLEXPIPEINC.COM
FOR MORE ASSEMBLY TIPS AND CREATIVES PICTURES!



MAKE IT WORK FOR YOU